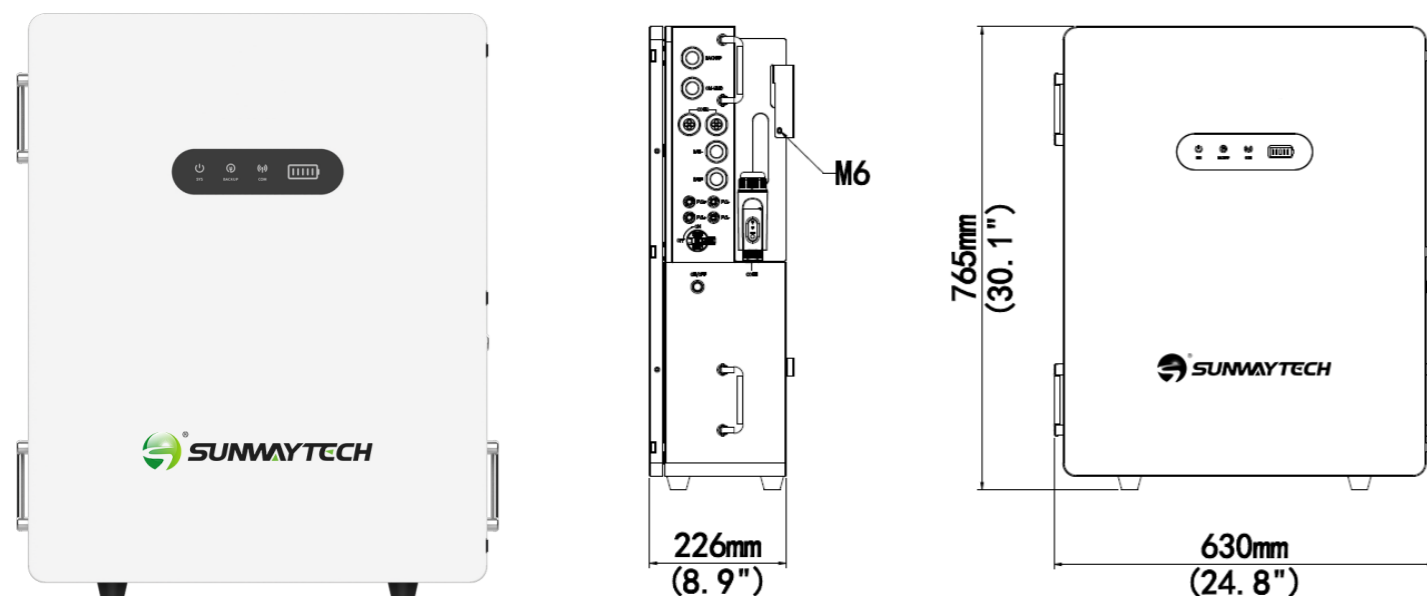


6KW 5KWH ALL-IN-ONE RESIDENTIAL ENERGY STORAGE SYSTEM

It is integrated with a 6kW hybrid inverter, a 5.12kWh lithium battery, and a Wi-Fi module that allows user to monitor system status at any time through the mobile app. The device can receive power from the power grid and two MPPT inputs, and can output a maximum of 6kW AC to power a variety of household appliances or store excess power to battery or feed back to the grid for economic benefits and flexible energy use.



PRODUCT FEATURES

- Supports low-voltage battery systems for enhanced safety
- Supports 150% PV oversizing
- Supports 110% AC overloading output
- Supports 150% backup power output for 10 seconds
- Supports 200% AC input
- Supports smart load management
- Battery charge/discharge current up to 80A
- 10ms EPS switch time
- Supports smart load management
- Supports parallel operation with up to 5 inverters
- Compatible with grid voltage or diesel generator power supply
- IP66 protection, allows for outdoor use
- Utilizes lithium iron phosphate batteries, providing high safety and long lifespan
- Supports remote monitoring on an app via Wi-Fi connection
- Allows to disable feed-in, meeting regulation requirements of different regions
- Equipped with a self-developed battery management system with protective functions like over-discharge, overcharge, overcurrent, and temperature protection

PERFORMANCE PARAMETER

PV String Input Data		SWGKWSKWH-10-SL-A
Max. PV Input Power		5400W
Max. PV Input Voltage		600V
Rated PV Input Voltage		360V
Start-up Voltage		120V
MPPT Voltage Range		100~550V
Full Load MPPT Voltage Range		280~500V
Max. PV Input Current		16A/16A
Max. DC Short Circuit Current		20A/20A
No. of MPPT Trackers		2
Battery Input Data		
Battery Type		Li-ion
Battery Voltage Range		40~60V
Max. Discharging/Charging Current		80A
AC input/output data(On-grid)		
Rated AC Output Power		6000W
Max. AC Output Apparent Power		6600VA
Grid Type		Single Phase
Rated AC Voltage		220V/230V/240V, L/N/PE
Rated AC Frequency		50/60Hz
Rated AC Output Current		16.4/15.7/15A
Max. AC Output Current		18/17.2/16.5A
Power Factor		0.8 leading to 0.8 lagging
AC Output Data(Back-up)		
Rated Output Power		6000W
Max. Output Apparent Power		6600VA
Peak Output Apparent Power		7200W@60s,6600W@10s
Rated Output Voltage		230V,L/N/PE
Rated Output Frequency		50/60Hz
Switch Time		10ms
Working Efficiency		
Max. Efficiency		97.23%
Euro Efficiency		96.59%
MPPT Efficiency		>99%
Battery		
Rated Energy		5.12kWh
Rated Capacity		100Ah
Rated Voltage		51.2V
Voltage Range		43.2V to 58.4V
Rated Discharge/Charge Current		50A
Max Discharge/Charge Current		100A
Cycle Life		≥6000(25±2°C, 0.5C/0.5C, 70%EOL)
Communication		CAN
General Data		
User Interface		LED & APP
Communication With BMS		CAN
Communication With Portal		WiFi+LAN/4G(Optional)
Dimension(WxDxHmm)		630*226*765mm
Weight		63.8kg
Ingress Protection		IP66
Warranty		10 Years
Operating Temperature Range		-25~60 °C
Storage Temperature Range		-25~85 °C
Operation Relative Humidity		≤95%,RH
Max. Operation Altitude		3000m(>2000m power derating)
Certifications and Standards		NTS TypeA, UNE 217002, UNE_217001, EN 50549-1&-10, G99, G98, G100, CEI 0-21, IEC62109-1&2, IEC 62619, IEC 62477-1, EN61000-6-1, EN61000-6-2, EN61000-6-3, EN61000-6-4, EN301 489-1/-17