

LITHIUM IRON PHOSPHATE(LiFePO4) BATTERY

—25.6V 100AH 2560WH/25.6V 200AH 5120WH



★ MAIN FEATURES

Longer Cycle Life

LiFePO4 batteries would be five times than SLA batteries on cycle life

High Power&Light weight

LiFePO4 batteries performance twice power of SLA batteries while half weight helpful for transport and installation

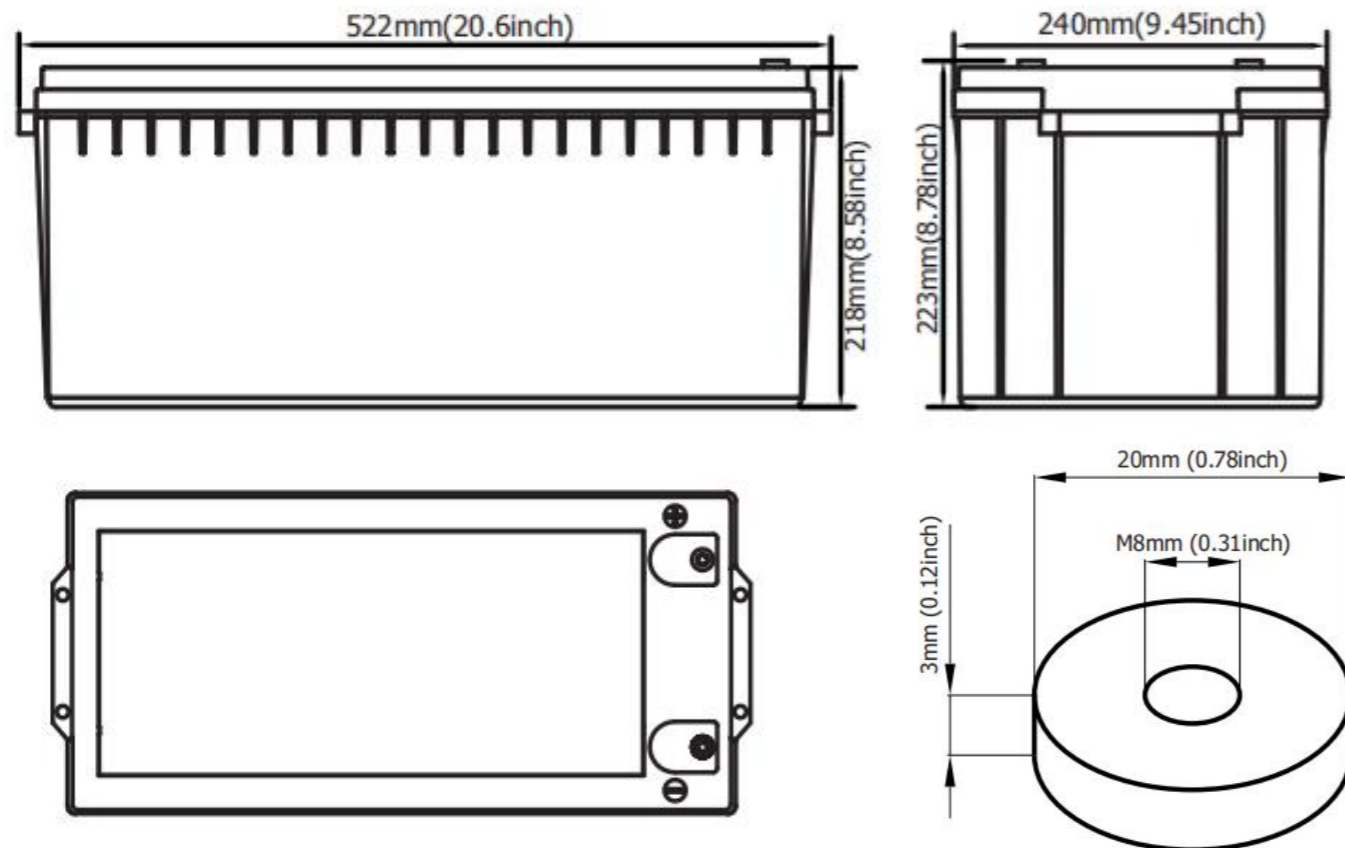
Intelligent management control

Intelligent BMS system covered by LFP batteries to ensure that batteries work on safety and perfect condition

Lower Self-discharge rate

Lower Self-discharge rate to guarantee LFP batteries be stored more longer than SLA batteries

★ PHYSICAL DIMENSION



★ PERFORMANCE PARAMETER

Models	SW25100	SW25200
Chemistry	LiFePO4	
Nominal Voltage	25.6V	
Nominal Capacity	100Ah(C5,25°C)	200Ah(C5,25°C)
Energy	2560Wh	5120Wh
Internal Resistance	≤50mΩ	
Cycle Life	>3000cycles@1C80%DOD	
Months Self Discharge	<3%	
Efficiency of Charge	100%@0.5C	
Efficiency of Discharge	96-99%@1C	
Standard Charge		
Charge Voltage	29.2±0.2V	
Charge Mode	0.2C to 29.2V, then 29.2V, charge current to 0.02C(CC/CV)	
Charger Current	100A	200A
Max.Charge Current	100A	200A
Charge Cut-off Voltage	31.2V±0.2V	
Standard Discharge		
Rated Discharge Current	100A	200A
Max Discharge Current	100A	200A
Max.Pulse Current	600A(<3s)	
Discharge Cut-off Voltage	20V	
Charge Temperature	0°C to 45°C(32F to 113F)@60±25% Relative Humidity	
Discharge Temperature	-20°C to 60°C(-4F to 140F)@60±25% Relative Humidity	
Storage Temperature	0°C to 40°C(32F to 104F)@60±25% Relative Humidity	
Water Dust Resistance	IP65	
Mechanical		
BMS	4P SMART Bluetooth	
Plastic Case	ABS	
Dimensions(in./mm.)	483*170*240mm	640*245*220mm
Weight(lbs./kg.)	19kg	38kg
Terminal	M8	

Sunway Solar Co.,Ltd

E-mail: info@sunwaypv.com

Tel: +86 138 6693 1144

www.sunwaypv.com

Building 7, E-Commerce Supervision Zone, Huguang Road, Hefei, Anhui, China

