

ENERGY STORAGE SYSTEMS(50KW 102KWH)

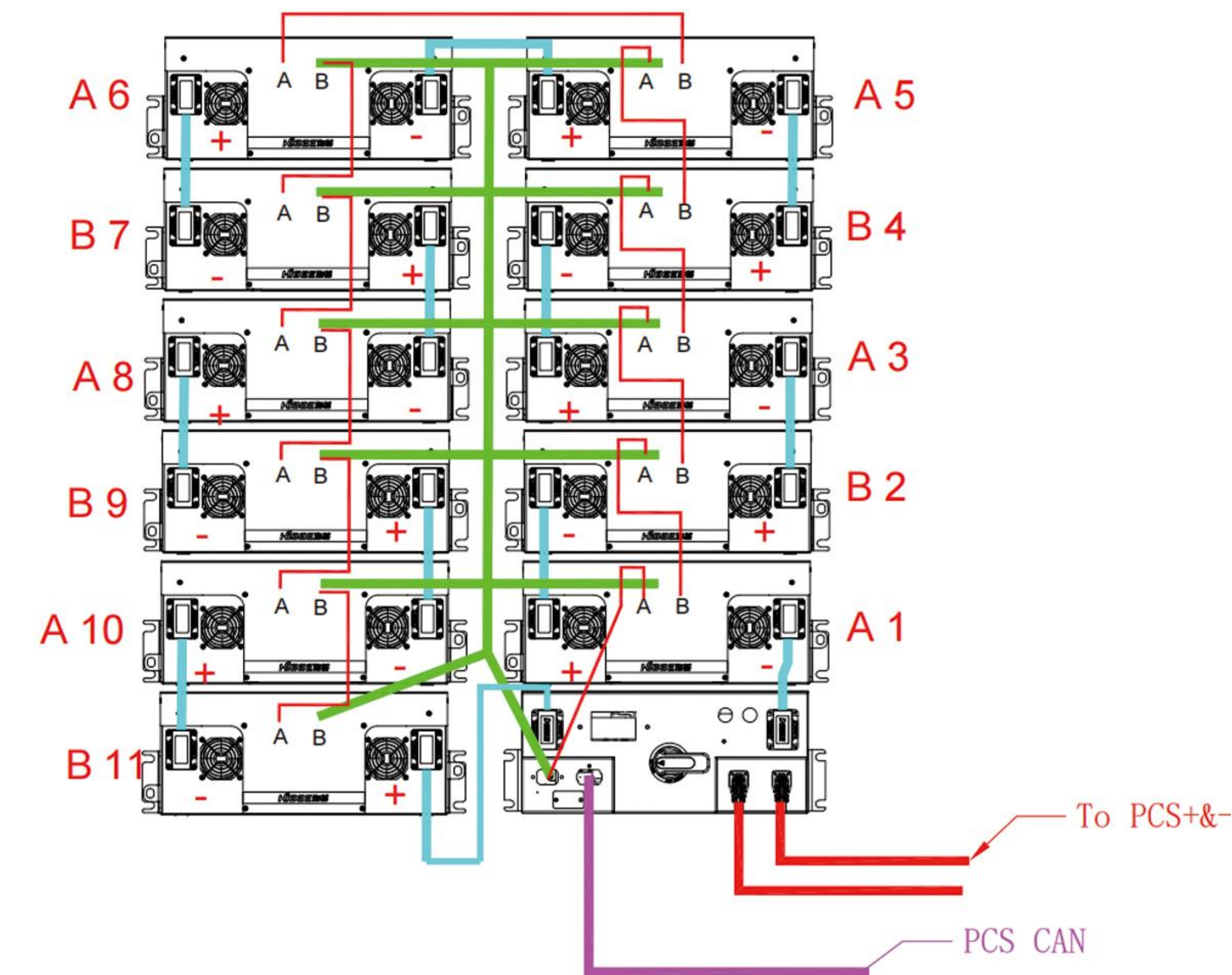
This product is used for power storage in power energy storage systems. The battery route is an aluminum-shell lithium iron phosphate battery. The modular design of the battery pack makes it easy to transport, install, and maintain. The battery pack can monitor and store battery pack parameters in real time to achieve local protection. Meets applications such as peak shaving, peak shaving and valley filling, and off-grid backup power supply for power energy storage systems.



- Support 280AH,315AH battery system
- Support for Time-of-use Optimization
- Configurable Operation Modes
- AFCI (Optional) & Rapid Shutdown Ready
- Build in Anti-feed-in Function
- 100% unbalanced output,each phase
- Smart Monitoring & Remote Firmware Upgrade

2. 25.6V 200AH HV RACK SOLAR BATTERY

- Wall mounted or floor mounted can be freely selected
- Good compatibility,standardcommunication protocol.
- Extrremelylong life cycle,morethan 6000 times or 10 years
- LFP rechargeablebatteryA+ Grade cell
- CAN / RS485,compatible



TECHNICAL SOLUTION INTRODUCTION

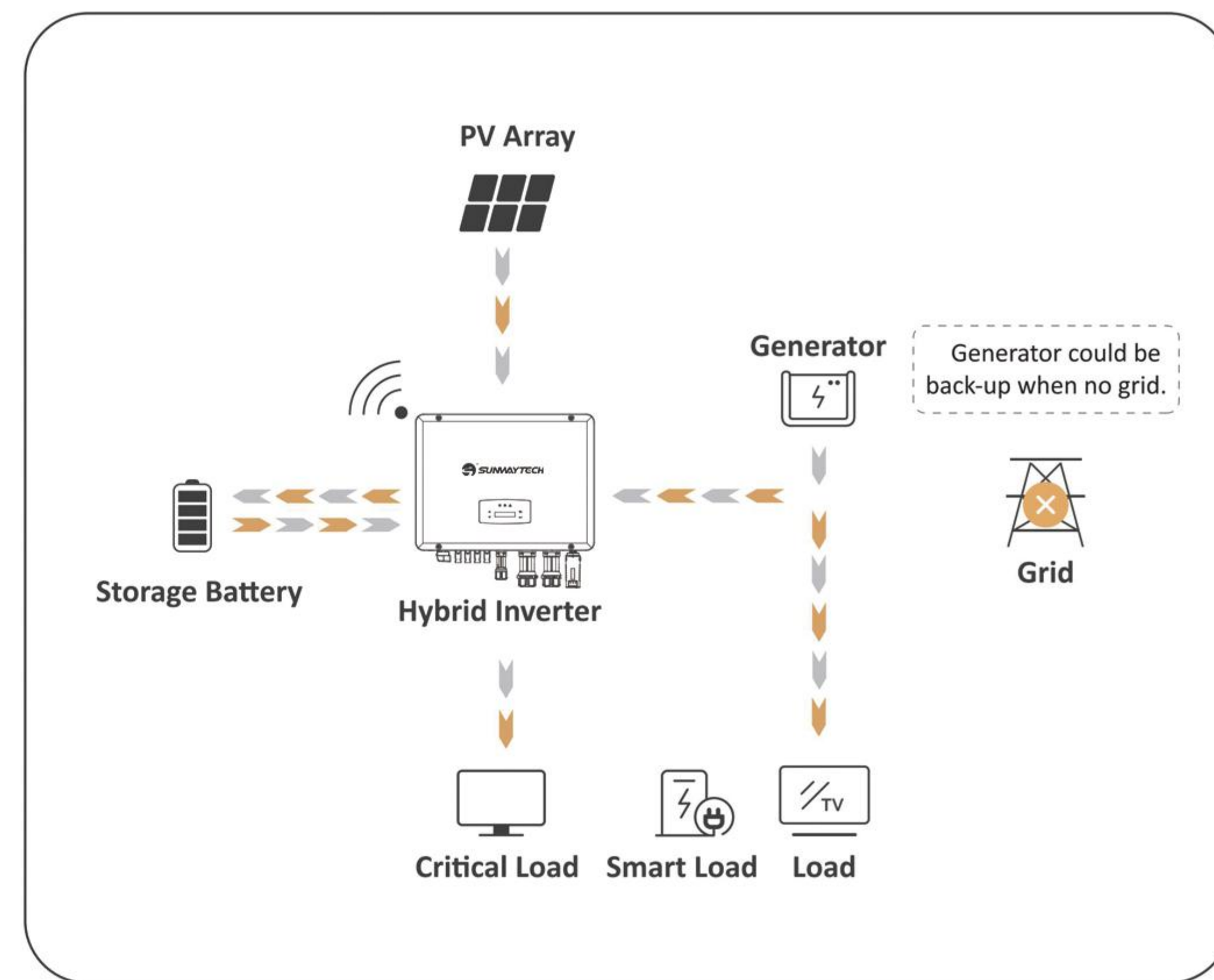
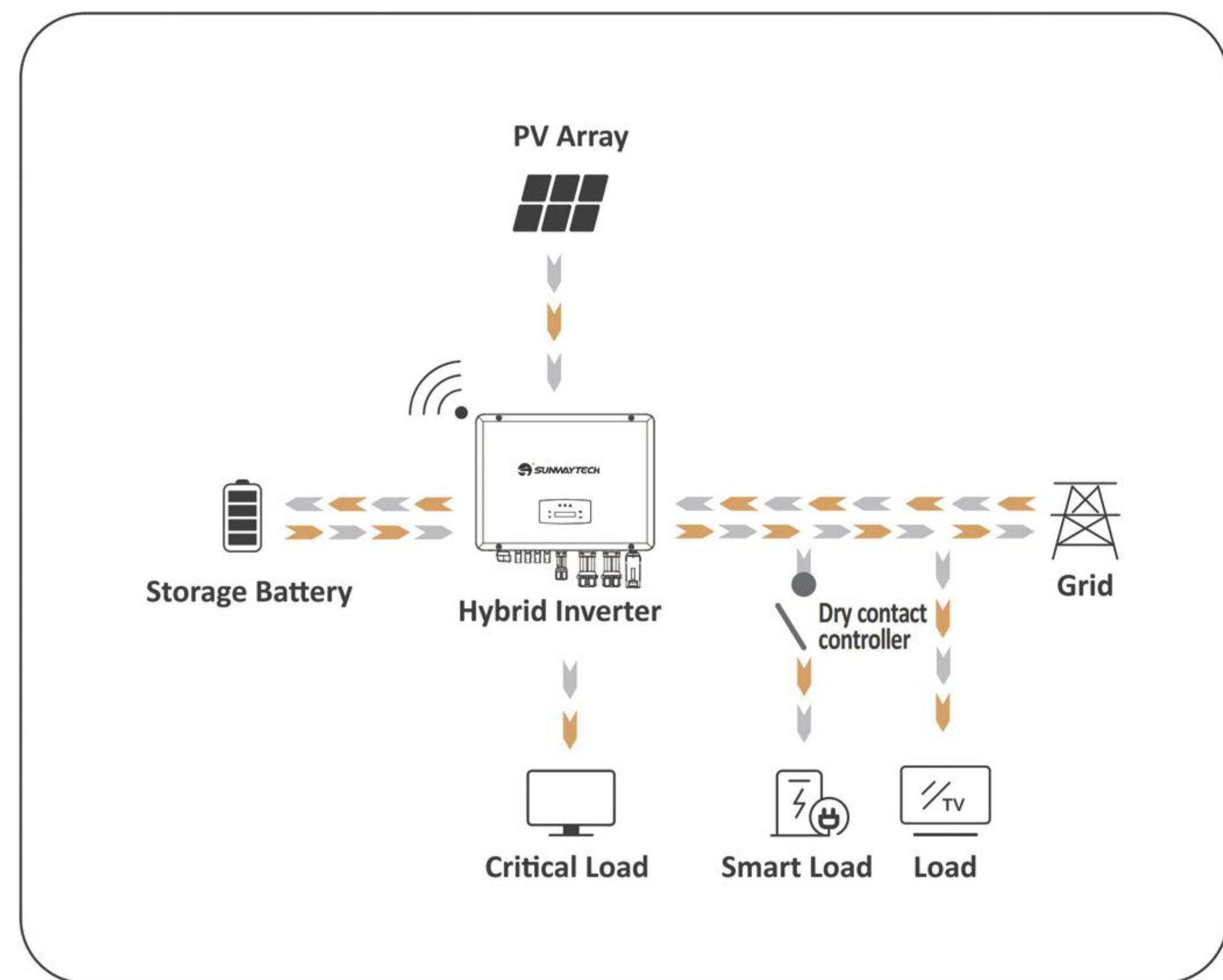
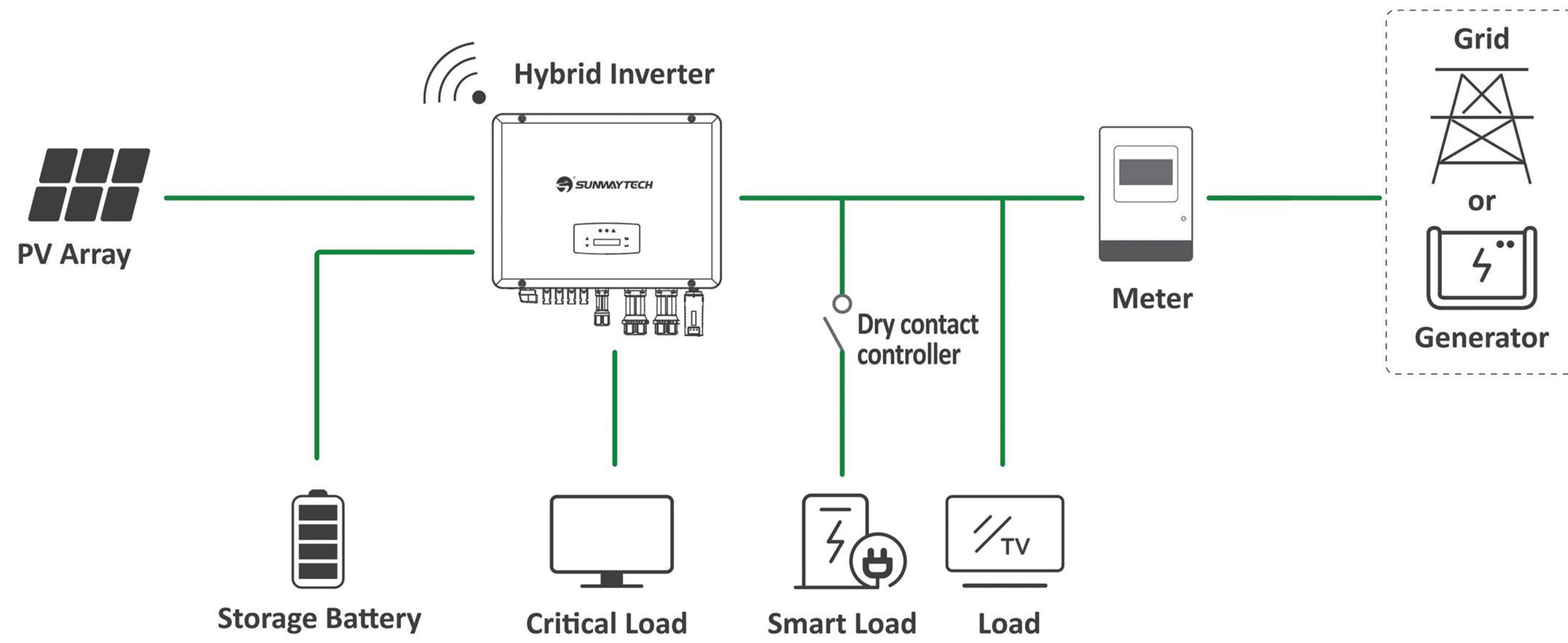
1. 50KW THREE PHASE HYBRID STORAGE INVERTER



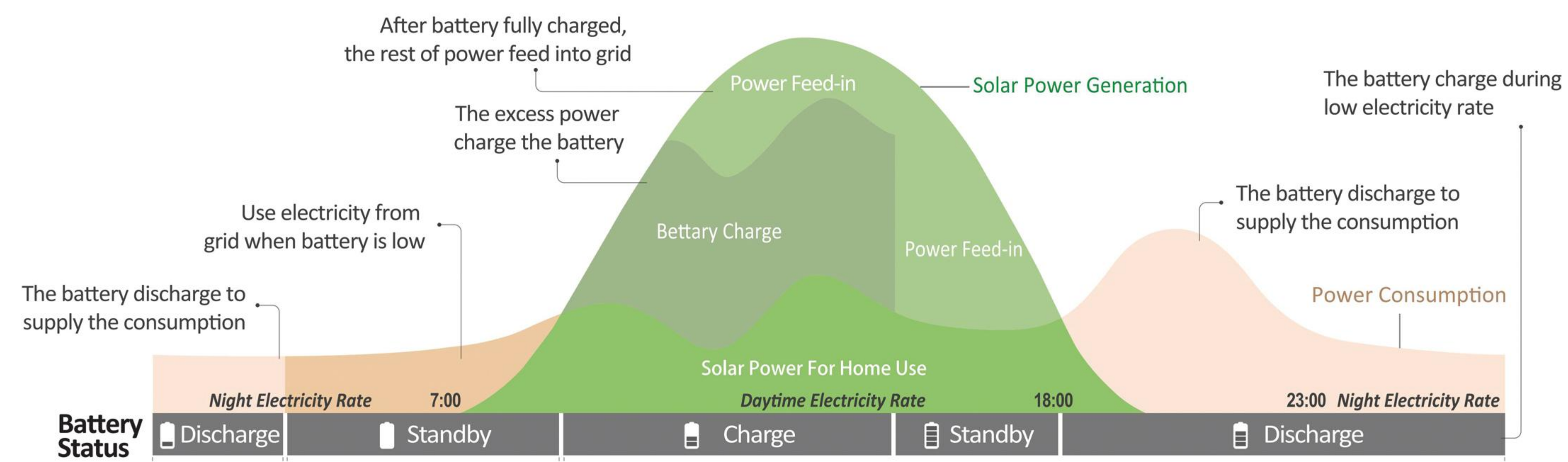
Model	SW50KHP3EU2
PV Input	
Max. DC Input Power (kW)	75kW
Max. PV Voltage (V)	1000
Max. DC Input Current (A)	40x4
Max. Short Current(A)	48x4
Battery Port	
Battery Nominal Voltage (V)	500
Battery Voltage Range (V)	150-800
Max. Charge/Discharge Current (A)	120
Max. Charge/Discharge Power (W)	40
AC Grid	
Nominal AC Output Power (kW)	50
Max. AC Input/Output Power (kVA)	75/55
Max. AC Output Current (A)	83.5
Nominal AC Voltage (V)	230/400
Nominal AC Frequency (Hz)	50/60
General Data	
Dimensions (W x H x Dmm)	867 x 715 x 306 mm
Weight (kg)	81
Operating Temperature Range (°C)	-25°C~60°C
Operating Altitude (m)	<4000
Display & Communication Interfaces	LCD, LED, RS485, CAN, Wi-Fi, GPRS, 4G

Capacity(kWh)	5.12
Nominal Voltage(Vdc)	25.6
Nominal Capacity(AH)	200
Voltage Range(Vdc)	21.6~28.8
Depthof Discharge	80%
Dimension(W*D*H mm)	440*442*179
Design Life	15+ years(25°C)
Cycle Life	>6000(25°C)
Communication	CANBUS/ModbusRTU/TCP/IP
Protection Class	IP20
Weight(kg)	48kg
Operation Temperature	0~50°C
Storage Temperature	-20~60°C
Product Certificate	UN38.3

2.FOR STORAGE SYSTEM



3.OPTIMIZING SELF-CONSUMPTION MODE



4.PROJECT CASE DISPLAY

