

## ENERGY STORAGE SYSTEMS(30KW 102KWH)

This product is used for power storage in power energy storage systems. The battery route is an aluminum-shell lithium iron phosphate battery. The modular design of the battery pack makes it easy to transport, install, and maintain. The battery pack can monitor and store battery pack parameters in real time to achieve local protection. Meets applications such as peak shaving, peak shaving and valley filling, and off-grid backup power supply for power energy storage systems.



- Support for Time-of-use Optimization
- Configurable Operation Modes
- AFCI (Optional) & Rapid Shutdown Ready
- Build in Anti-feed-in Function
- 100% unbalanced output, each phase
- Smart Monitoring & Remote Firmware Upgrade

### TECHNICAL SOLUTION INTRODUCTION

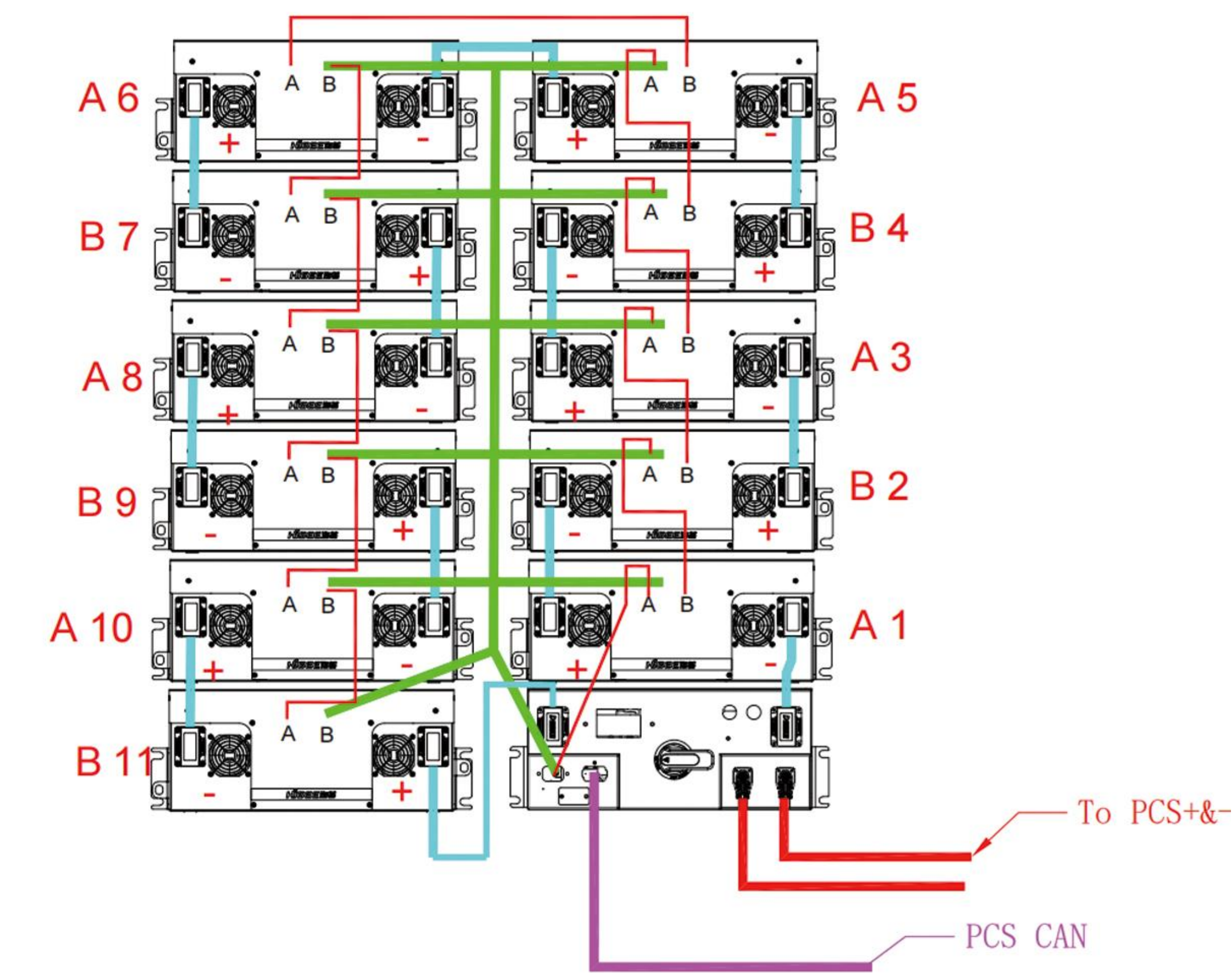
## 1. 30KW THREE PHASE HYBRID STORAGE INVERTER



Model	SW30KHP3EU2
<b>PV Input</b>	
Max. DC Input Power (kW)	45kW
Max. PV Voltage (V)	1000
Max. DC Input Current (A)	40x2
Max. Short Current(A)	60x2
<b>Battery Port</b>	
Battery Nominal Voltage (V)	550
Battery Voltage Range (V)	150-800
Max. Charge/Discharge Current (A)	60
Max. Charge/Discharge Power (W)	30
<b>AC Grid</b>	
Nominal AC Output Power (kW)	30
Max. AC Input/Output Power (kVA)	45/33
Max. AC Output Current (A)	48
Nominal AC Voltage (V)	230/400
Nominal AC Frequency (Hz)	50/60
<b>General Data</b>	
Dimensions (W x H x Dmm)	558 x 535 x 260 mm
Weight (kg)	36
Operating Temperature Range (°C)	-25°C~60°C
Operating Altitude (m)	<4000
Display & Communication Interfaces	LCD, LED, RS485, CAN, Wi-Fi, GPRS, 4G

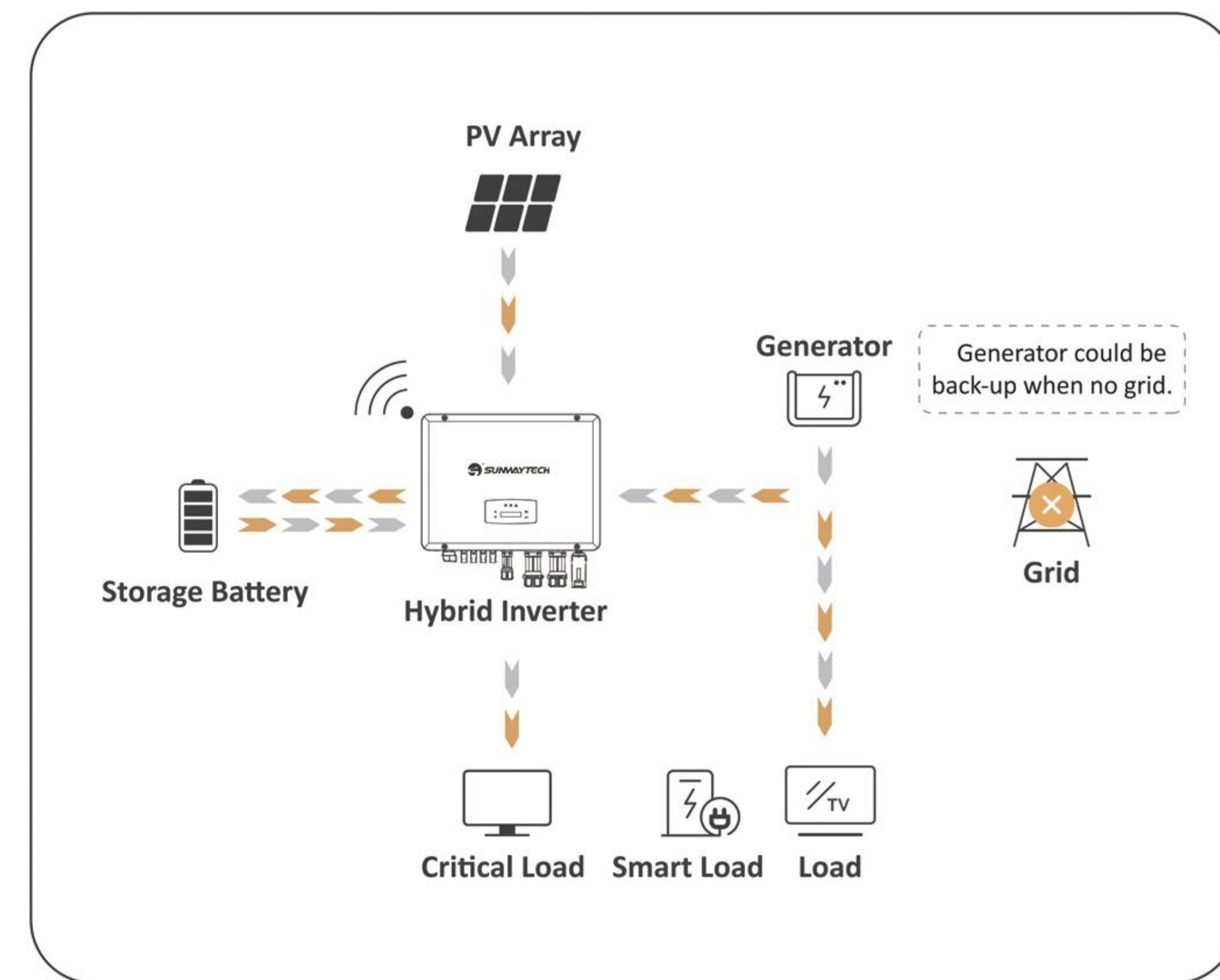
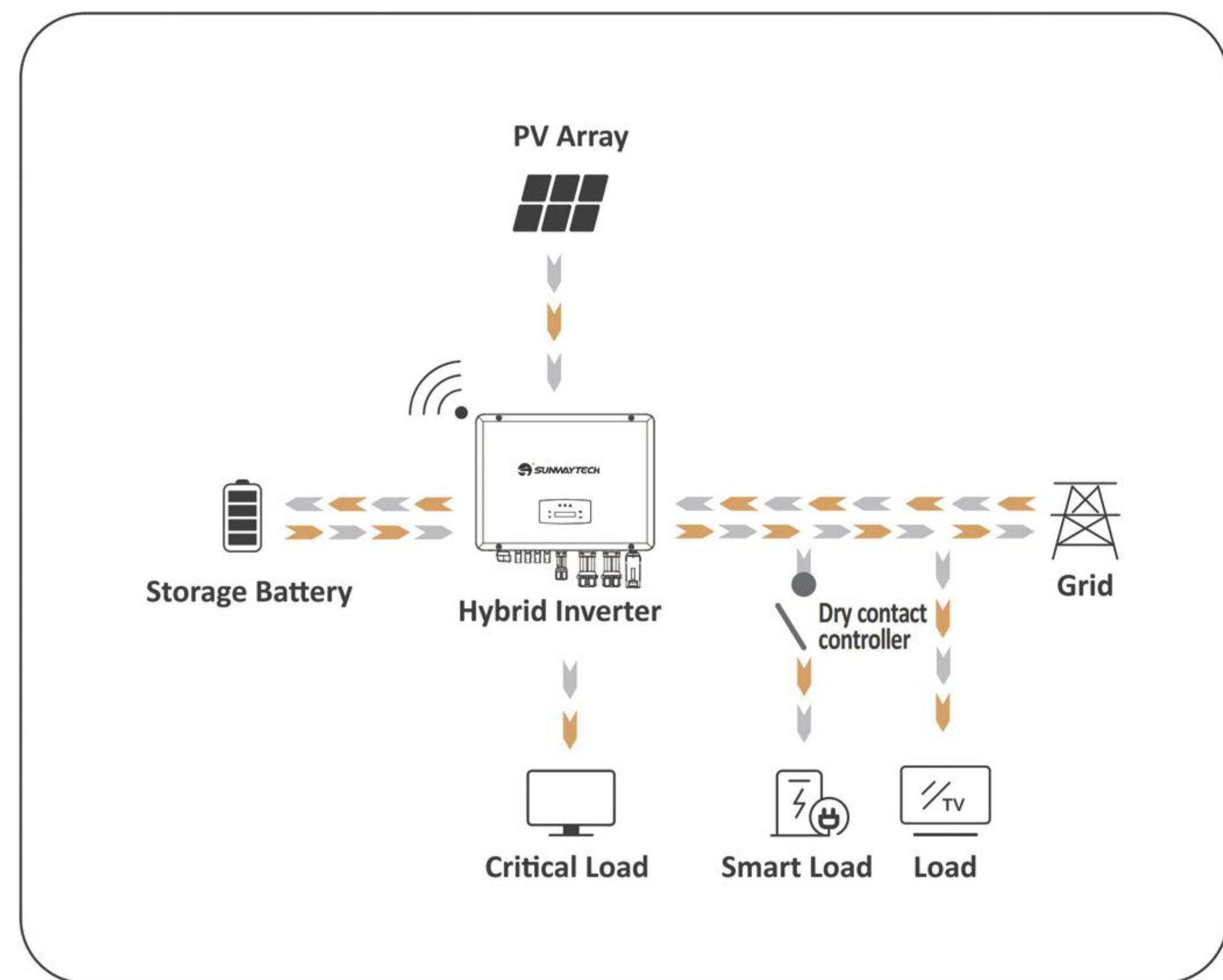
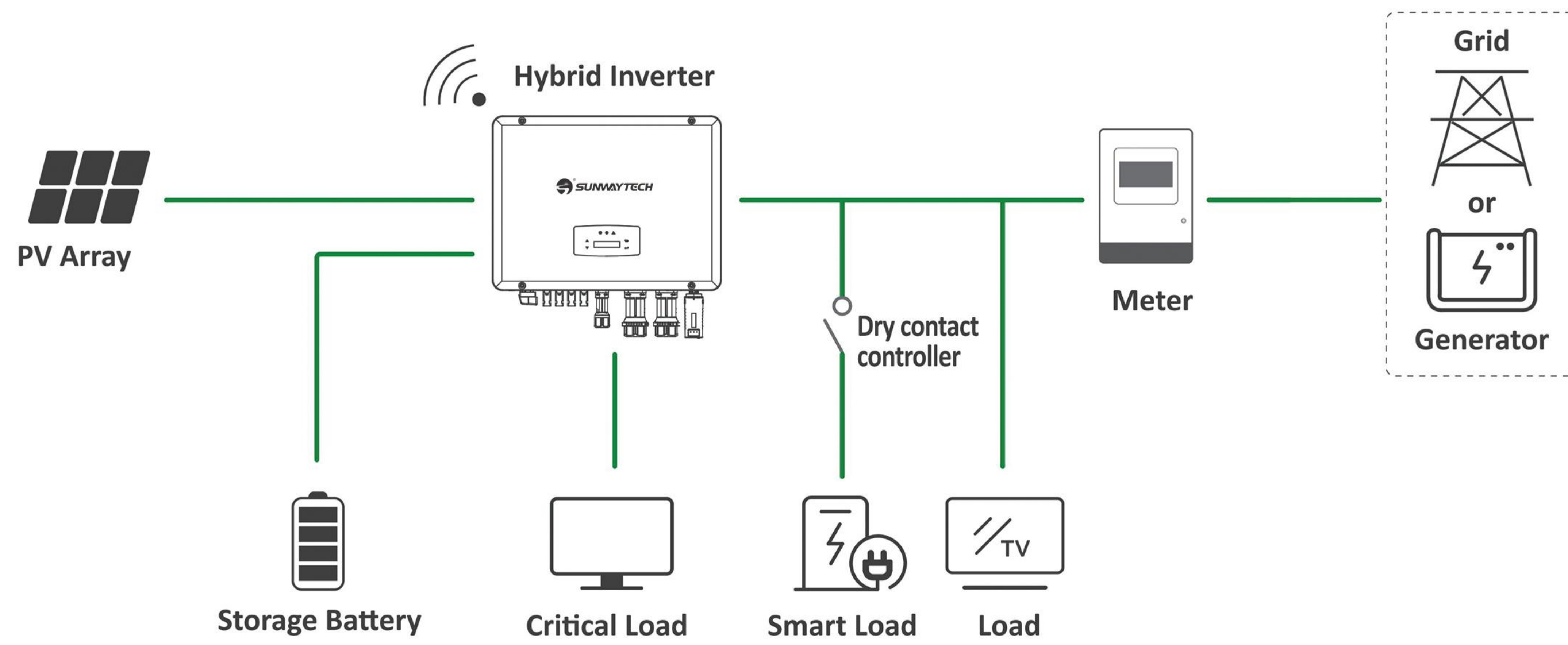
## 2. 25.6V 200AH HV RACK SOLAR BATTERY

- Wall mounted or floor mounted can be freely selected
- Good compatibility, standard communication protocol.
- Extrremely long life cycle, more than 6000 times or 10 years
- LFP rechargeable battery A+ Grade cell
- CAN / RS485, compatible

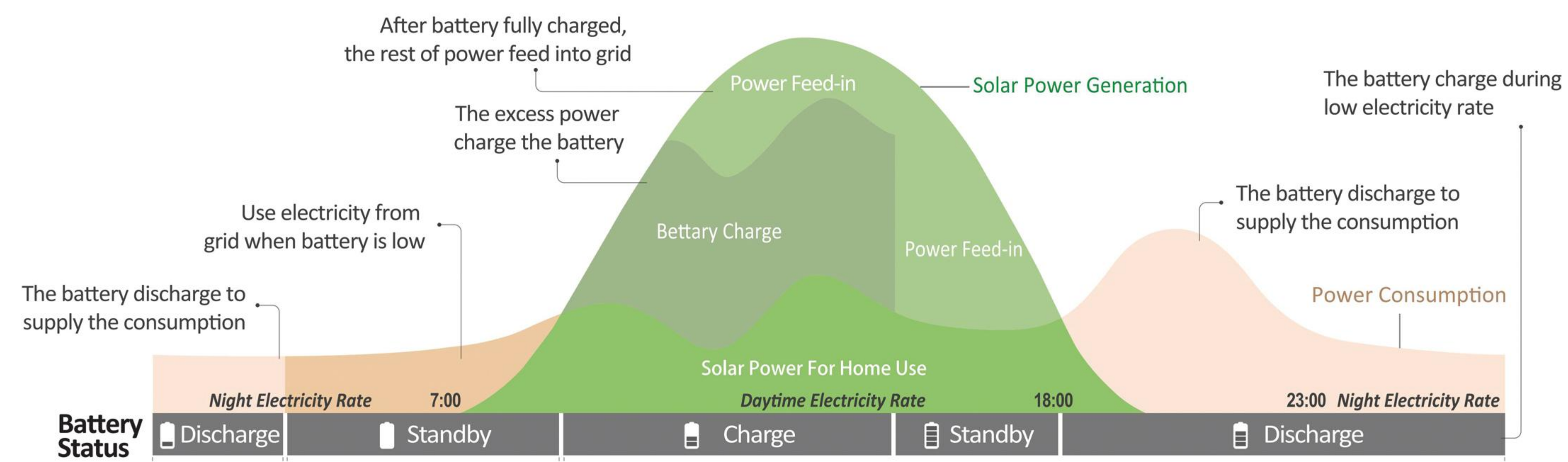


Capacity(kWh)	5.12
Nominal Voltage(Vdc)	25.6
Nominal Capacity(AH)	200
Voltage Range(Vdc)	21.6~28.8
Depth of Discharge	80%
Dimension(W*D*H mm)	440*442*179
Design Life	15+ years(25°C)
Cycle Life	>6000(25°C)
Communication	CANBUS/ModbusRTU/TCP/IP
Protection Class	IP20
Weight(kg)	48kg
Operation Temperature	0~50°C
Storage Temperature	-20~60°C
Product Certificate	UN38.3

## 2.FOR STORAGE SYSTEM



## 3.OPTIMIZING SELF-CONSUMPTION MODE



## 4.PROJECT CASE DISPLAY

